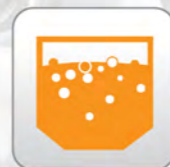


Version 1.5 29/03/20 17

... since 1983 we make all about feeding



QINGDAO TEMU MACHINERY EQUIPMENT CO.,LTD
Tel:+86 13505320832 Fax:+8653283893638
Email:HUBERT@TE-MU.COM
WEB:WWW.TE-MU.COM



Chainfeed

塞盘干料线



Temu 特牧

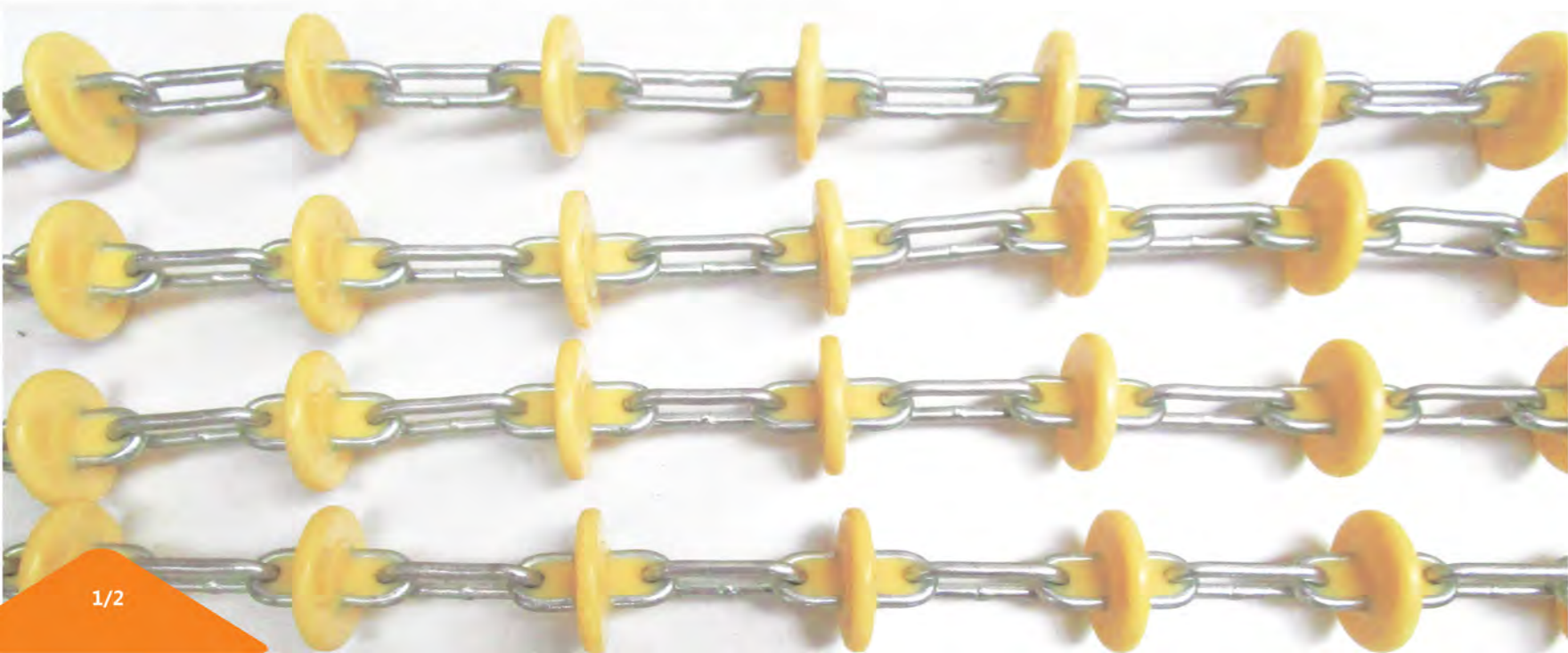


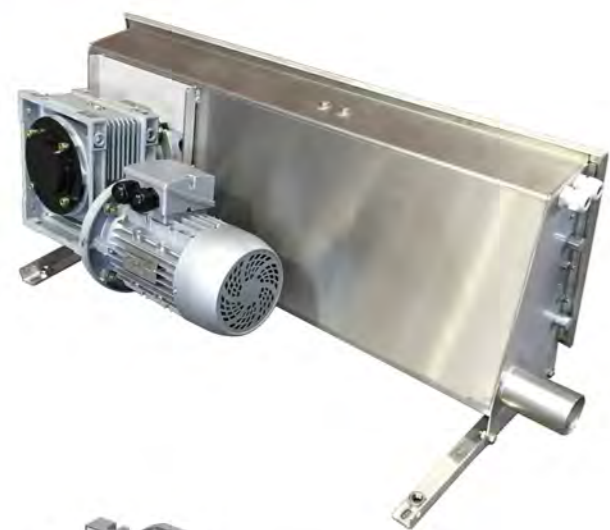
WWW.TE-MU.COM

Chainfeed product line 塞盘干料线

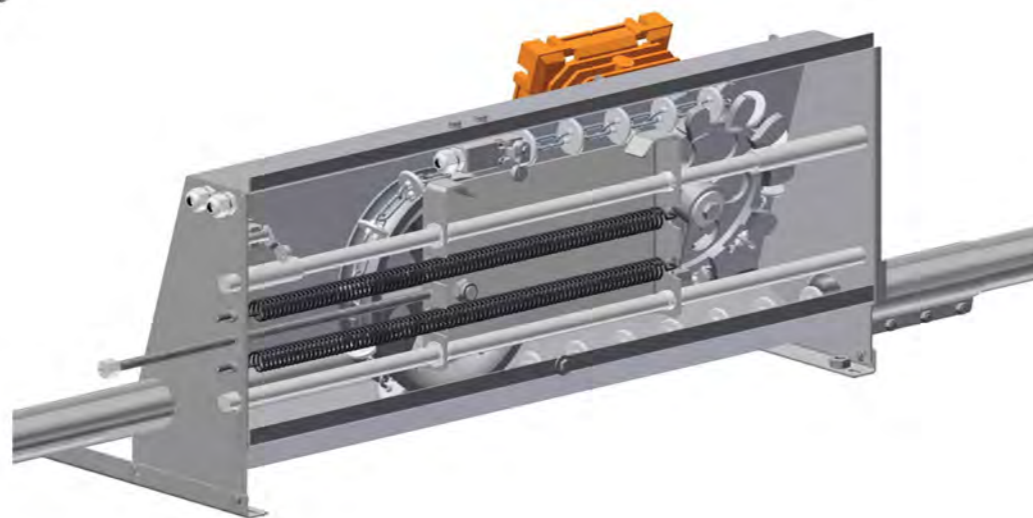
Chainfeed is a simple and robust chain tube conveyor system for dry feeding system

Chainfeed是一种用于干式进料系统的简单且坚固的链条输送系统





6004.0103

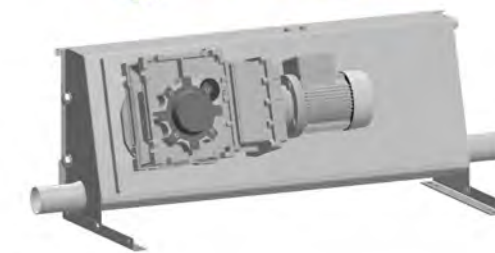
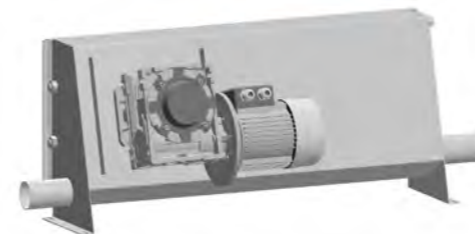


Feeding machine 驱动器

Kompakt 简易的

Standard标准的

Eco - plus环保型



For short and compact installations
对于短而紧凑的安装
2981.5505

2981.5500 R
2981.5501 L

Safe 25% power consumption
More then 6 hours/day oft runtime
2981.5510



2981.5521



2981.5523



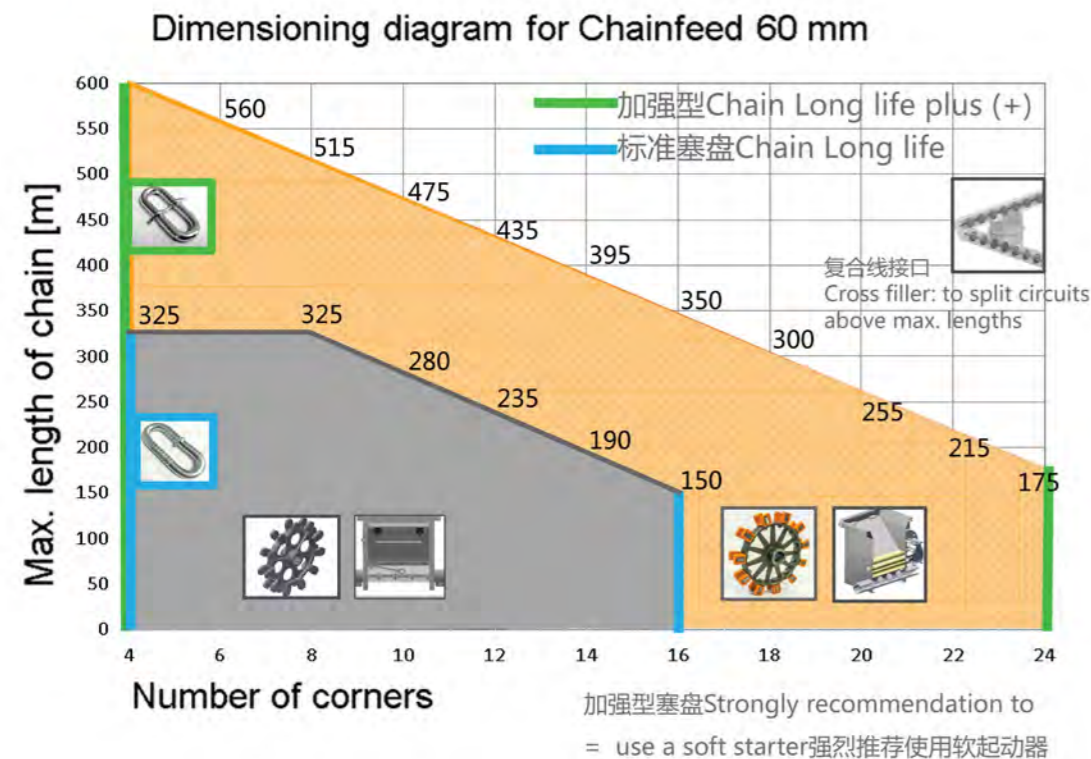
2981.5520



2984.0038



2981.5540



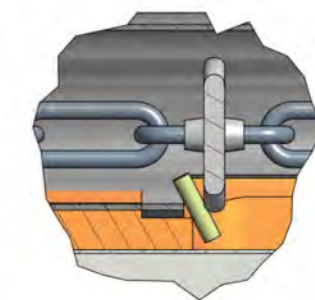
塞盘料线的长度是由塞盘的种类和转角数量决定的。Lengths diagram of the TEWE CHAINFEED system* according the type of feeding chain and numbers of corners.

*data valid for feed system on one level only, dosing in of the feed by motor driven hopper or flex auger, max. 10 dosing drops; max 50% of pipe filling; conveyor material in powder form; maximum of 6 hours daily running time. For more informations / regulations, please consult the TWN 5133 (TEWE factory standard).

Feeding chains 塞盘

Product line	Long life		Long life plus
ØDisk	42mm	44mm	43mm
Part number	2981.5082	2981.5080	2981.5096
Applicattion	Pellets	Flour	Pellets Flour

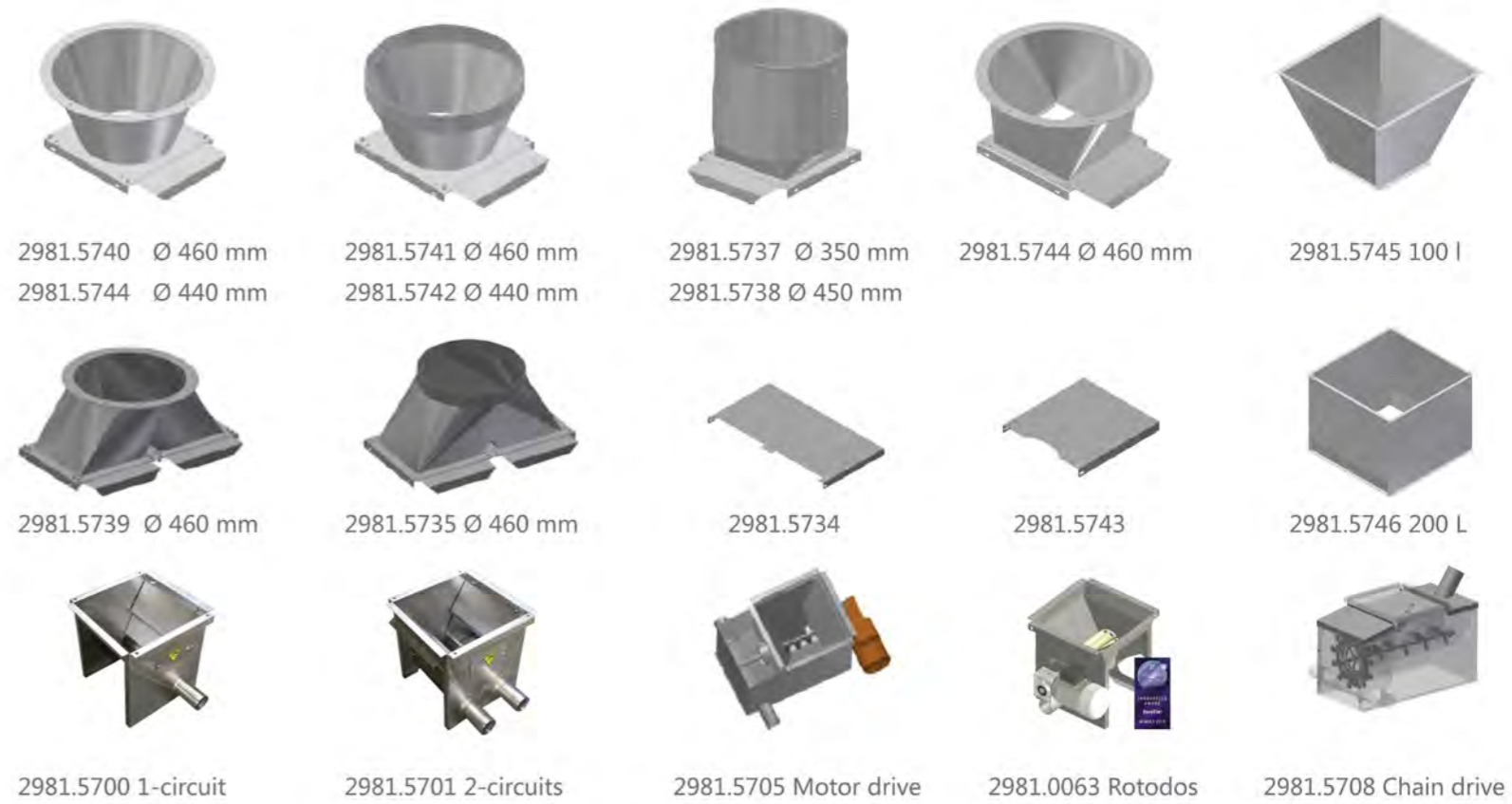
2981.5088



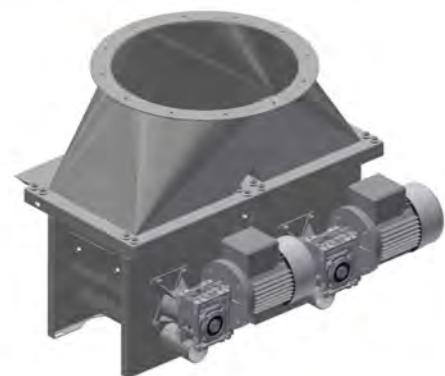
Feeding machine 驱动器



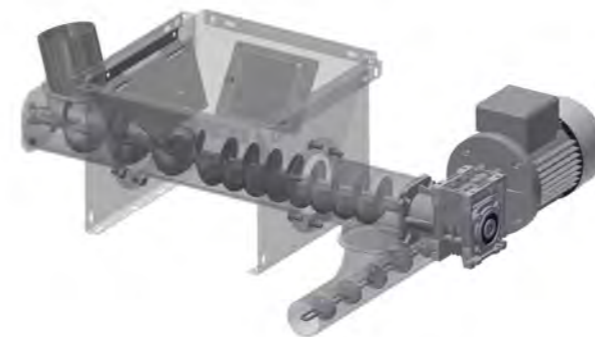
Silo connection and feed hopper 筒仓连接和进料斗



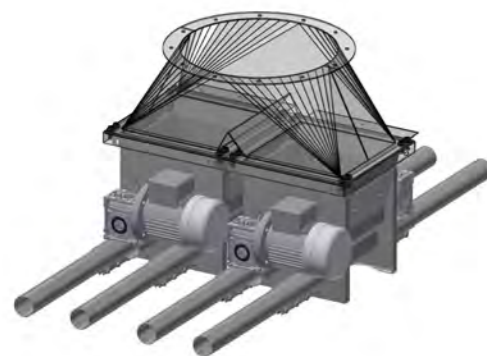
New feed hopper line 新型接料斗线



2981.0063 Rotodos



2981.57010 Motor drive with return



2981.0064 Rotodos 2



2981.5705 Motor drive



2981.0654



2981.0655

Corners 拐角



2981.0600



2981.0601



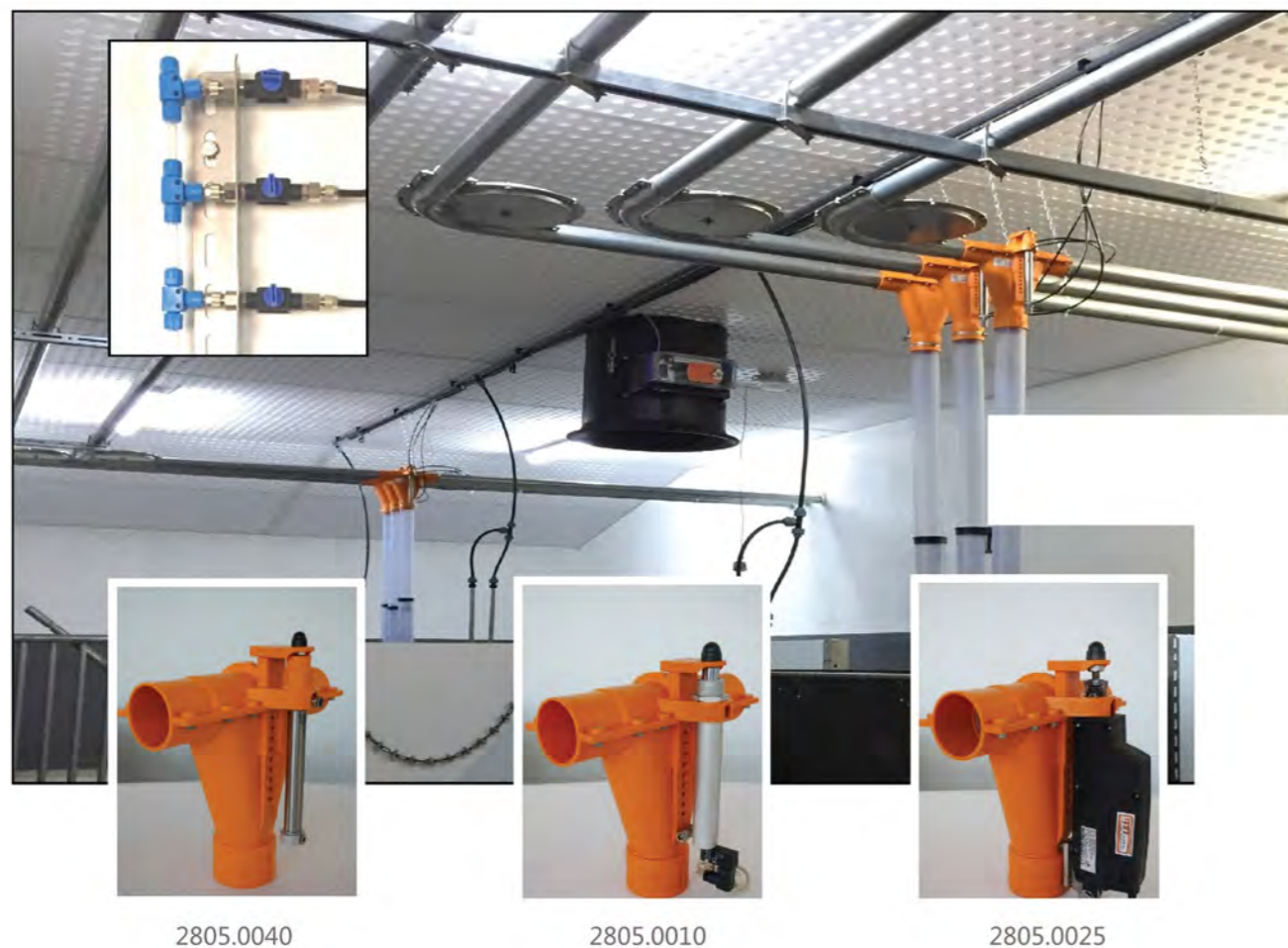
2981.0650



2981.0665

Solutions for big farms 大养殖场的解决方案





2805.0040

2805.0010

2805.0025

Drop valves and accessories T阀和附件



2984.0071



2984.0026



2981.5762



8352.0009



1124.0367





Volume dispenser 量杯设备





Easytronic



4125.0101 Easytronic II



6128.0003 Softstarter



Controllers 控制器



4125.0050



4125.0055

Easycontrol 容易控制



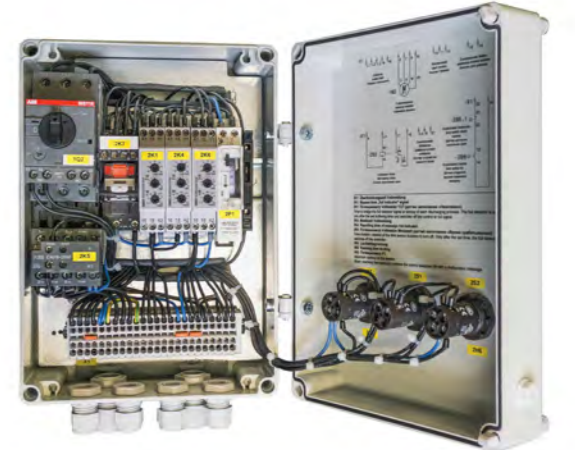
2981.5760



2981.5761



6125.0011





Flexauger 绞龙料线



60mm	1124.0101	8111.0022	8125.0021	1124.0004	8348.0022	7325.0011	1124.0202
75mm	1124.0102	8111.0034	8125.0023	1124.0005	8348.0023	1124.0391	1124.0205
90 mm	1124.0100	8111.0021	8125.0027	1124.0006	8348.0024	1124.0392	1124.0203
125 mm	1124.0103	8111.0035	8125.0030	1124.0007	8348.0025	1124.0393	1124.0204



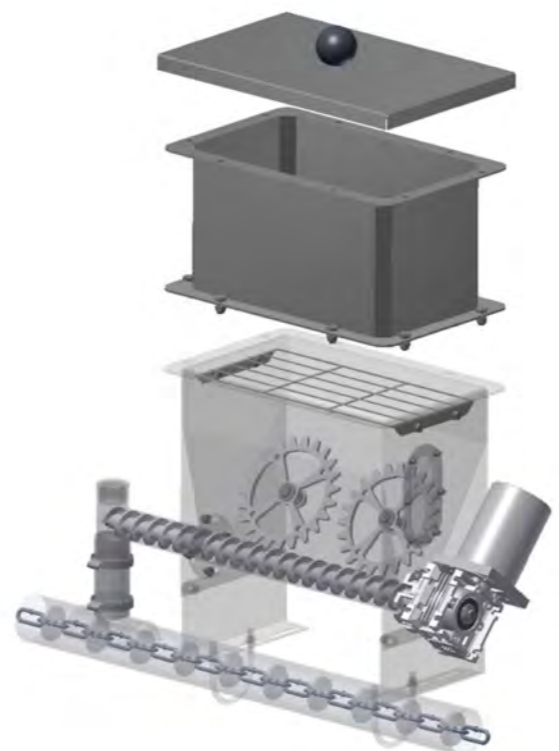
8145.0020



1124.0367

1124.0369

6004.0304	1,10kW	356rpm
6004.0303	0,75kW	356rpm
6004.0302	0,75kW	177rpm
6004.0301	0,75kW	177rpm



1125.0056



Microdoser 小料斗



1125.0050



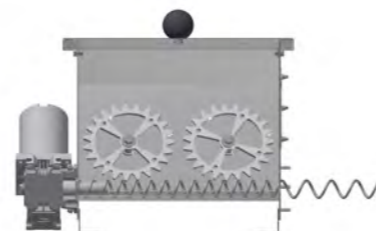
1125.0051



1125.0060



4513.0201



1125.0070



1125.0052



1125.0053



1125.0054



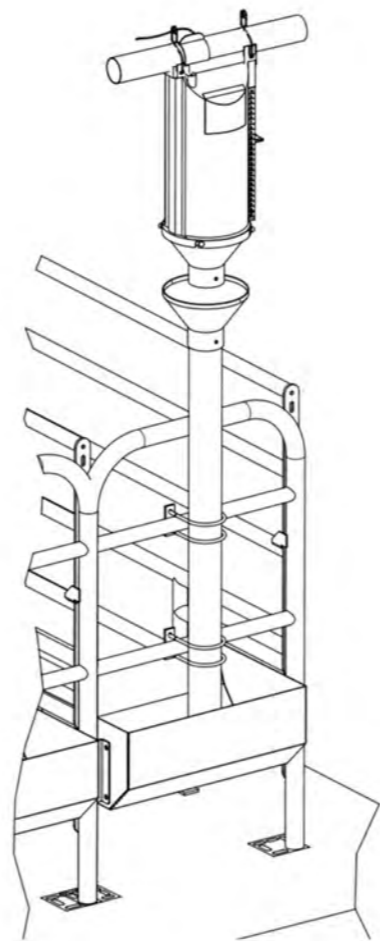
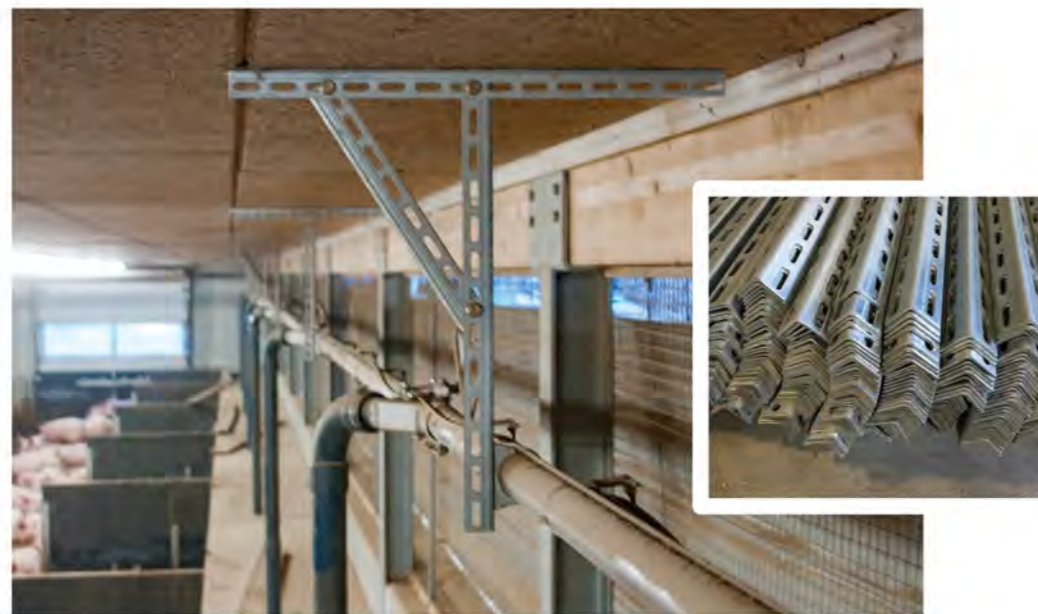
1125.0055



7212.0073



2984.0008



Fixering and supports 紧固件和支撑件



- 8351.0017- M8,1/2" x80mm
- 8351.0016 - M8, 3/4" x 80 mm
- 8351.0015- M8, 1" x80mm



- 7212.0005 Ø60mm x 3/4" x L=1,30
- 7212.0046 Ø 60 mm x 3/4" x L=1,50
- 7212.0006 Ø60mm x 1" x L=1,30
- 7212.0047 Ø 60 mm x 1" x L=1,50



- 8348.0020 Ø 50 mm
- 8348.0021 Ø 60 mm
- 8348.0022 Ø 70 mm
- 8348.0023 Ø 83 mm
- 8348.0024 Ø 102 mm
- 8348.0025 Ø 138 mm



- 7212.0051 250x350mm
- 7212.0052 350 x 450mm